

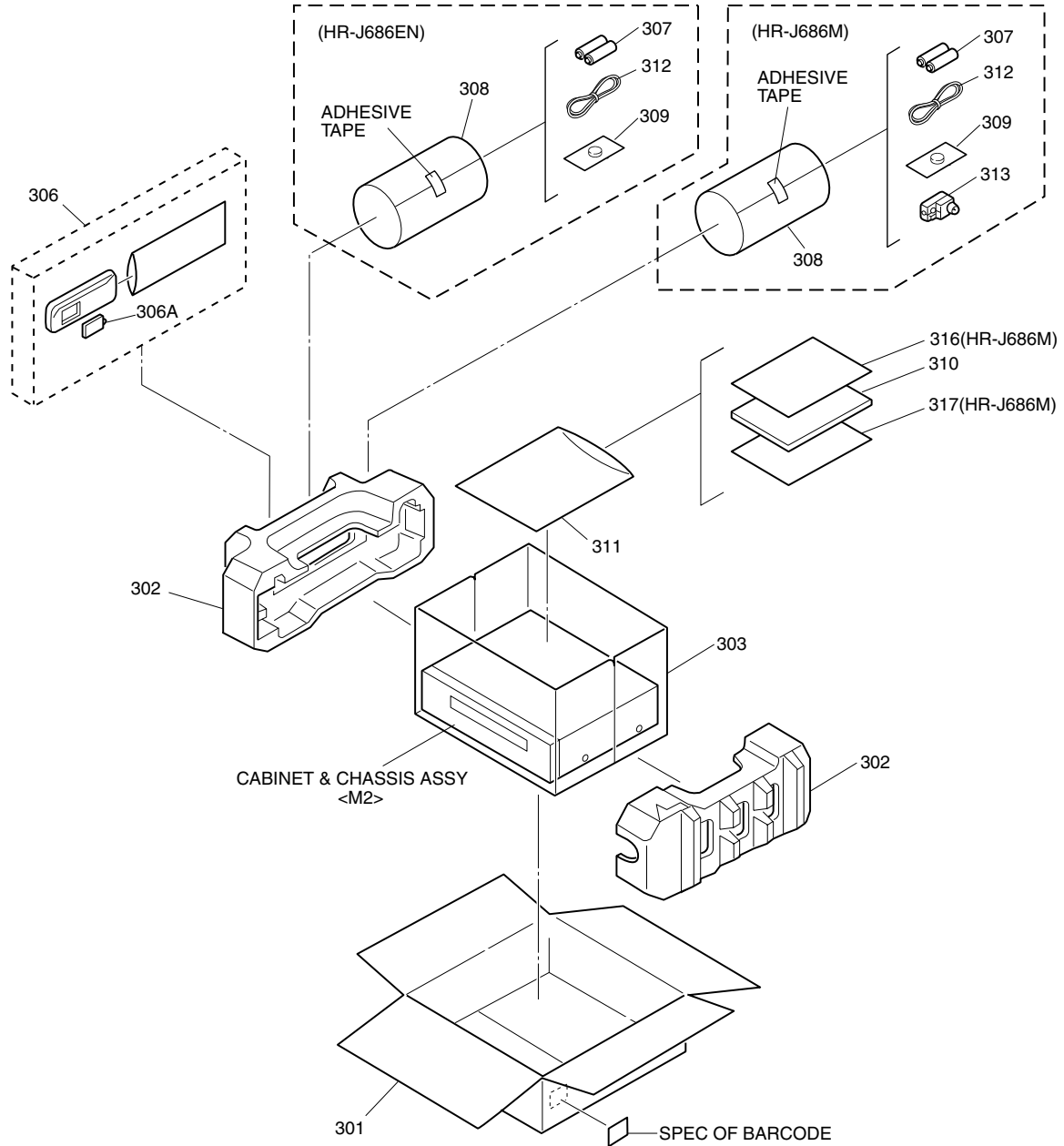
SECTION 5 PARTS LIST

SAFETY PRECAUTION

Parts identified by the \triangle symbol are critical for safety. Replace only with specified part numbers.

5.1 PACKING AND ACCESSORY ASSEMBLY <M1>

The instruction manual to be provided with this product will differ according to the destination.



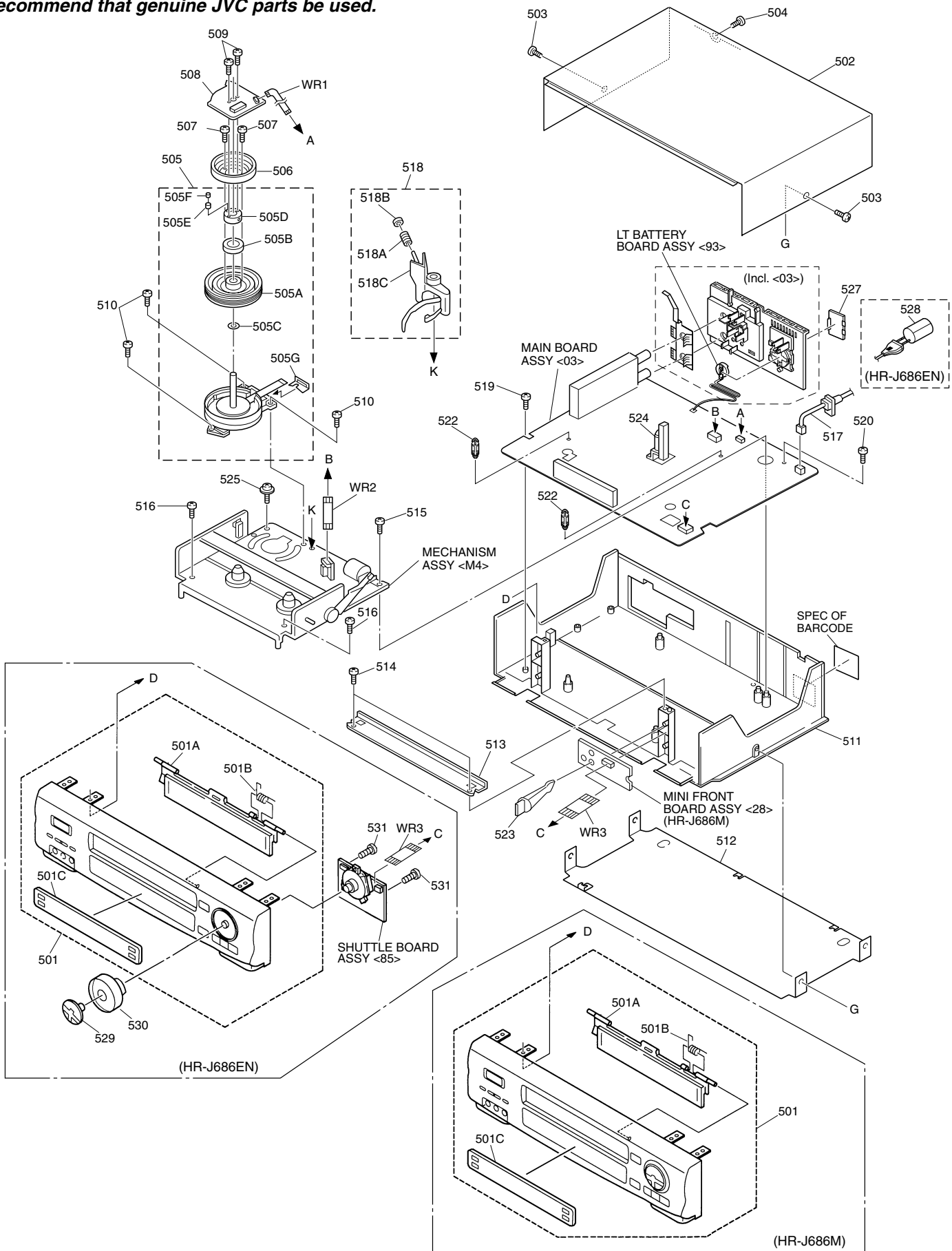
# \triangle	REF No.	PART No.	PART NAME, DESCRIPTION	# \triangle	REF No.	PART No.	PART NAME, DESCRIPTION

PACKING AND ACCESSORY ASSEMBLY <M1>							
		301	LP30658-018A			307	-
			LP30658-020A			308	QPC02202230P
		302	LP30718-001A		\triangle	309	PECA0903
			PQM30021-93		\triangle	310	LPT0378-001A
		306	LP20303-016B		\triangle	310	LPT0375-001A
			LP20878-007B			311	QPC02503530P
		306A	LP40225-001A			312	PEAC0294-04
			LP40610-002A			312	PEAC0446-120
						313	PU35613-2
						316	BT-53003-1
						317	BT-53002-1

5.2 CABINET AND CHASSIS ASSEMBLY <M2>

BEWARE OF BOGUS PARTS

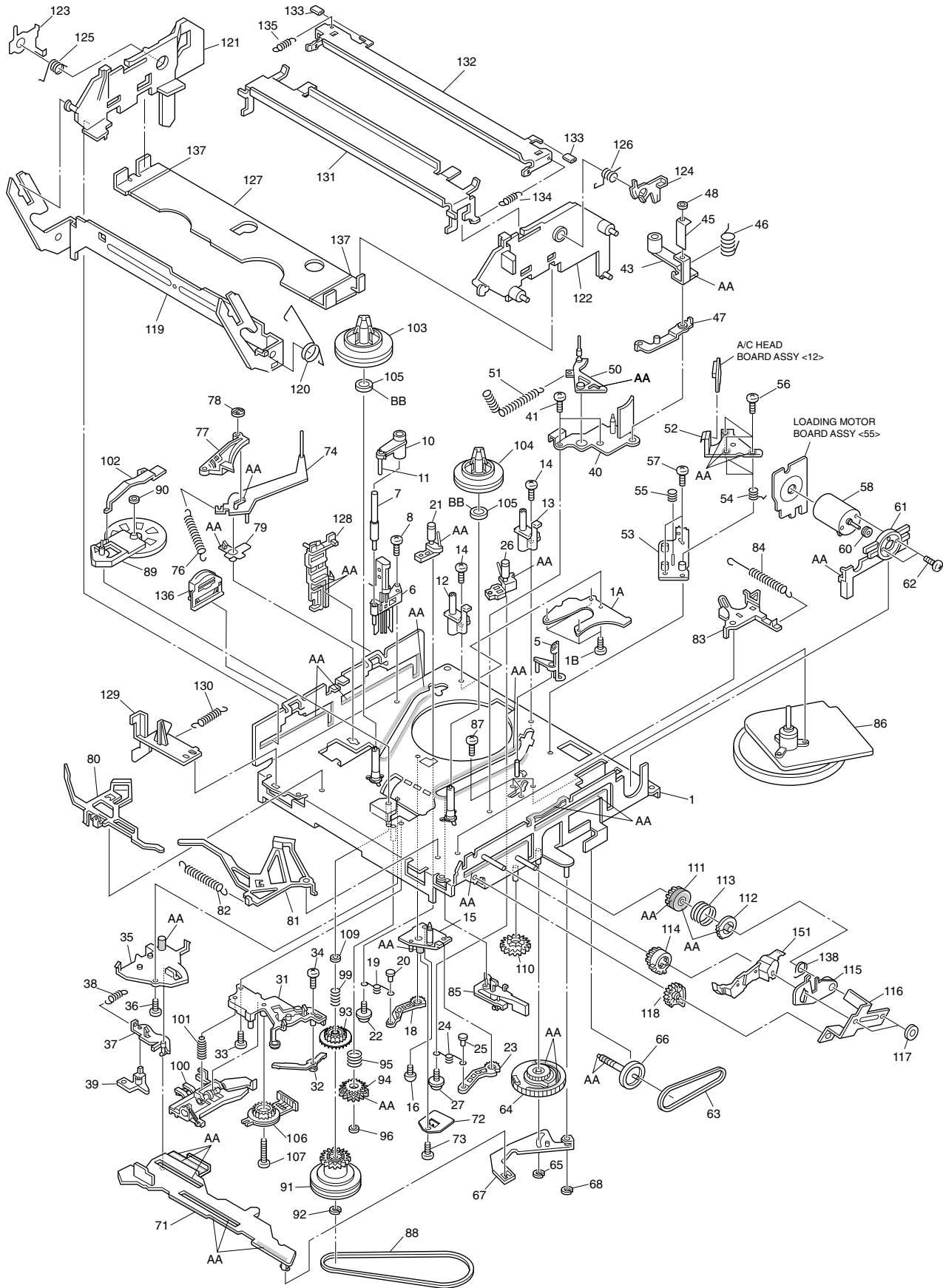
Parts that do not meet specifications may cause trouble in regard to safety and performance. We recommend that genuine JVC parts be used.



#	△	REF No.	PART No.	PART NAME, DESCRIPTION	#	△	REF No.	PART No.	PART NAME, DESCRIPTION

CABINET AND CHASSIS ASSEMBLY <M2>									
△		501	LP10289-034B	FRONT PANEL ASSY,J686EN					
△			LP10289-033C	FRONT PANEL ASSY,J686M					
		501A	LP20868-007A	CASSETTE DOOR					
		501B	PQ46448	TORSION SPRING					
		501C	LP20869-043A	DISPLAY WINDOW,J686M					
			LP20869-046A	DISPLAY WINDOW,J686EN					
△		502	LP10013-027C	TOP COVER					
		503	QYTDSF3010M	SCREW,X2 TOP COVER(SIDE)					
		504	QYTDSF3010M	SCREW,TOP COVER(REAR)					
		505	LP20617-001A	DRUM SUB ASSY,J686M					
			LP20617-002A	DRUM SUB ASSY,J686EN					
		505A	LP20616-001A	UPPER DRUM ASSY,J686M					
			LP20616-002A	UPPER DRUM ASSY,J686EN					
		505B	PDM4439	CAP					
		505C	PDM4444-19-2	WASHER					
		505D	LP40572-001A	COLLAR ASSY					
		505E	LP40323-001A	CONTACT					
		505F	LP30004-014A	COMPRESSION SPRING					
		505G	LP40174-001B	FPC PLATE					
		506	PDZ0179-1-4	ROTOR ASSY					
		507	QYSPSP3006Z	SCREW,X2					
△		508	QAR0119-001	STATOR ASSY					
		509	QYSPSPH2606Z	SCREW,X2					
		510	QYTDST2610Z	SCREW,X3 DRUM					
△		511	LP10108-009C	BOTTOM CHASSIS					
△		512	LP10014-001B	BOTTOM COVER					
		513	LP30312-001B	BRACKET(CHASSIS)					
		514	QYTDSF3010Z	SCREW,X2					
		515	QYTDSF4012Z	SCREW,MECHA					
		516	QYTDSF3010Z	SCREW,X2 MECHA					
△		517	QMPR130-170-JC	POWER CORD,J686EN					
△			QMP73K0-170	POWER CORD,J686M					
		518	LP40369-001D	CLEANER ASSY					
		518A	PQ46418-1-2	CLEANER ROLLER					
		518B	PQ46419-1-2	CLEANER					
		518C	LP30407-001D	CLEANER ARM					
		519	QYTDSF3010Z	SCREW,MAIN					
		520	DPSF3010Z	SCREW,MAIN					
		522	LP40226-001A	PC SUPPORT,X2					
		523	LP40628-001B	PC SUPPORT,FRONT,J686M					
		524	LP40253-001B	STOPPER					
		525	PQ40413	SPECIAL SCREW,MECHA					
		527	LP30336-001A	CAP,LT.BATTERY					
		528	PM30137	POLY BAG(POWER PLUG),J686EN					
		529	LP30652-002A	KNOB(SHUTTLE),J686EN					
		530	LP30651-003A	KNOB(JOG),J686EN					
		531	QYTDSF2608Z	SCREW,X2,J686EN					
		WR1	QUQ212-0518CG	FFC WIRE,DRUM CN3002					
		WR2	WJT0005-002A	E-CARD WIRE,A/C HEAD CN2001					
		WR3	QUQ112-0914CG	FFC WIRE,FRONT CN7001					

5.3 MECHANISM ASSEMBLY <M4>



Classification	Part No.	Symbol in drawing
Grease	KYODO-SH-P	AA
Oil	COSMO-HV56	BB

NOTE:The section marked in **AA** and **BB** indicate lubrication and greasing areas.

#	△ REF No.	PART No.	PART NAME, DESCRIPTION	#	△ REF No.	PART No.	PART NAME, DESCRIPTION

MECHANISM ASSEMBLY <M4>							
1		LP20821-002F	MAIN DECK ASSY	72		LP40379-001B	CTL BRACKET(1)
1A		LP40275-004B	PLATE(SUPPLY)	73		QYTDST2608M	SCREW
1B		QYTDST2605Z	SCREW,X4 PLATE(SUPPLY)	74		LP40108-002A	TENSION ARM ASSY
5		LP30492-002B	GIDE POLE GUARD	76		LP30003-010A	TENSION SPRING
6		NAH0001-001	FULL ERASE HEAD	77		LP40109-003D	TENSION BRAKE ASSY
7		LP40098-001B	GUIDE POLE(SUPPLY)	78		PQ46302-1-3	ADJUST PIN
8		QYTDST2608Z	SCREW,FE HEAD	79		LP30232-002A	TENSION ARM BEARING
10		LP30459-002A	TENSION STUD BASE	80		LP40532-008A	MAIN BRAKE ASSY (SUPPLY)
11		LP40367-002A	TENSION STUD	81		LP40111-011A	MAIN BRAKE ASSY (TAKE UP)
12		LP30409-002C	UV CATCHER 2(SUPPLY)	82		LP30003-026A	TENSION SPRING
13		LP30409-002C	UV CATCHER 2(TAKE UP)	83		LP40112-001F	SUB BRAKE ASSY(TAKE UP)
14		QYTPST2606Z	SCREW,X2 UV CATCHER	84		LP40357-002A	TENSION SPRING
15		LP30223-003C	LOADING ARM GEA SHAFT	85		LP40461-001A	CAPSTAN BRAKE ASSY
16		QYTDST2606Z	SCREW	86		QAR0087-004	CAPSTAN MOTOR
18		LP30224-001A	LOADING ARM GEAR(SPPLY)	87		QYTDST2606M	SCREW,X3
19		LP40099-001A	TORSION ARM	88		LP30005-007A	BELT,CAPSTAN MOTOR
20		LP40100-001A	PIN	89		LP40114-008A	IDLER ARM ASSY
21		LP40101-006A	POLE BASE ASSY(SUPPLY)	90		LP30016-001A	SLIT WASHER
22		QYSPSTG2606Z	SCREW	91		LP40593-001A	CLUTCH UNIT 3
23		LP40103-002B	LOADING ARM GEAR(TAKE UP)	92		PQM30017-47	SLIT WASHER
24		LP40099-001A	TORSION ARM	93		LP40446-002B	CLUTCH GEAR 1
25		LP40100-001A	PIN	94		LP40442-001A	DIRECT GEAR
26		LP40104-006A	POLE BASE ASSY(TAKE UP)	95		LP40483-002A	COMPRESSION SPRING
27		QYSPSTG2606Z	SCREW	96		LP30016-001A	SLIT WASHER
31		LP20233-004B	ROTARY ENCODER GUIDE	99		LP40554-001A	COMPRESSION SPRING
32		LP30499-001C	BRAKE LEVER	100		LP40484-001J	CHANGE LEVER ASSY
33		QYTPST2606Z	SCREW	101		LP40512-002B	COMPRESSION SPRING
34		QYTPST2608Z	SCREW	102		LP30236-002B	IDLER LEVER
35		LP30226-004D	CONTROL PLATE GUIDE	103		LP20237-001B	REEL DISK (SUPPLY)
36		QYTPST2605Z	SCREW	104		LP20238-001B	REEL DISK (TAKE UP)
37		LP30249-003B	TAKE UP LEVER	105		LP30017-015A	SPACER
38		LP30003-006A	TENSION SPRING	106		QSW0554-003	ROTARY ENCODER
39		LP40119-002A	TAKE UP HEAD	107		QYTPST2620Z	SCREW,ROTARY ENCODER
40		LP20234-004B	LID GUIDE	109		LP30017-019A	SPACER,C.GEAR 1
41		QYTDST2606Z	SCREW,X2	110		LP30237-002B	CASSETTE GEAR
43		LP40105-002A	PINCH ROLLER ARM ASSY	111		LP30239-002G	LIMIT GEAR(1)
45		LP40478-001A	PINCH ROLLER SHEET2	112		LP30240-002G	LIMIT GEAR(2)
46		LP40148-002A	TORSION SPRING	113		LP40136-001E	TORSION SPRING
47		LP40149-001C	PRESS LEVER ASSY	114		LP30242-002A	RELAY GEAR
48		LP30016-002A	SLIT WASHER	115		LP30339-002E	OPENER GUIDE
50		LP40106-002E	GUIDE ARM ASSY	116		LP40214-001B	C.H.BRACKET
51		LP40134-001C	TENSION SPRING	117		PQM30017-47	SLIT WASHER,X2
52		QAH0010-004	AC HEAD	118		LP30243-001D	DRIVE GEAR
53		LP30228-001A	HEAD BASE	119		LP20240-001F	DRIVE ARM
54		LP30004-013A	COMPRESSION SPRING,X3	120		LP40137-001A	TORSION SPRING
55		LP40236-001A	COMPRESSION SPRING	121		LP10081-002L	SIDE HOLDER(L)
56		LP40213-002B	SPECIAL SCREW,X3	122		LP10082-002M	SIDE HOLDER(R)
57		QYTDST2608Z	SCREW,X2	123		LP30255-006A	LOCK LEVER(L)
58		QAR0023-001	LOADING MOTOR	124		LP30256-001H	LOCK LEVER(R)
60		PQ43546-1-2	MOTOR PULLEY	125		LP40168-001A	TORSION SPRING(L)
61		LP30230-001B	MOTOR GUIDE	126		LP40218-001B	TORSION SPRING(R)
62		QYTPSP3003Z	SCREW,X2	127		LP30257-001G	CASSETTE HOLDER
63		LP30005-003A	BELT,LOADING MOTOR	128		LP30244-002G	GUIDE RAIL
64		LP20791-002C	CONTROL CAM	129		LP30245-002E	REC SAFETY LEVER
65		PQM30017-24	SLIT WASHER	130		LP30003-004A	TENSION SPRING
66		LP40120-001A	WORM GEAR	131		LP20578-001C	TOP GUIDE
67		LP40107-002A	LINK LEVER ASSY	132		LP30500-001C	HOLD PLATE
68		PQM30017-24	SLIT WASHER	133		LP40450-003A	PAD,X2 HOLD PLATE
71		LP10201-003C	CONTROL PLATE	134		LP30003-025B	TENSION SPRING
				135		LP30003-024A	TENSION SPRING
				136		LP40481-003A	ROLLER CAM ASSY
				137		LP30019-014A	PAD,X2 CASSETTE HOLDER
				138		LP40545-001A	TORSION SPRING,OPENER GUIDE
				151		LP20324-003A	DOOR OPENER

5.4 ELECTRICAL PARTS LIST

#	△ REF No.	PART No.	PART NAME, DESCRIPTION

MAIN BOARD ASSEMBLY <03>			
PW1		LPA10088-18C1	MAIN BOARD ASSY,J686EN
		LPA10088-14D1	MAIN BOARD ASSY,J686M
IC1		JCP8020-MSD-2	IC
IC3001		MN101D02GJK	IC,J686M
		MN101D02GJT	IC,J686EN
IC3002		BA6956AN	IC
IC3003		S-80823ANUP-W	IC
		or R3111H231A	IC
IC3004		M24C02-BN6	IC
		or AT24C02-10PC	IC
		or 24LC02B/P	IC
IC5301		LA5613	IC
IC6501		UPC1854AGT	IC
IC7001		M35500BGP	IC
		or M35500AGP	IC
IC7002		GP1U291Q	IR DETECT UNIT
		or PNA4652M00YC	IR DETECT UNIT
		or PIC-28143LJ	IR DETECT UNIT
Q1		2SC4081/S/-X	TRANSISTOR,J686EN
Q2		2SC4081/S/-X	TRANSISTOR,J686EN
Q3		2SC4081/S/-X	TRANSISTOR,J686EN
Q4		2SC4081/S/-X	TRANSISTOR,J686EN
Q12		2SA1576A/QR/-X	TRANSISTOR
		or 2SB1218A/QR/-X	TRANSISTOR
		or 2PA1576/R/-X	TRANSISTOR
Q13		DTC144WU	TRANSISTOR,J686M
		or PDTC144WU	TRANSISTOR,J686M
		or RN1309	TRANSISTOR,J686M
		or UN521E	TRANSISTOR,J686M
Q22		2SC4081/QRS/-X	TRANSISTOR
		or 2SD1819A/QRS/-X	TRANSISTOR
		or 2PC4081/R/-X	TRANSISTOR
Q25		DTC144WU	TRANSISTOR,J686M
		or PDTC144WU	TRANSISTOR,J686M
		or RN1309	TRANSISTOR,J686M
		or UN521E	TRANSISTOR,J686M
Q27		DTC144WU	TRANSISTOR,J686M
		or PDTC144WU	TRANSISTOR,J686M
		or RN1309	TRANSISTOR,J686M
		or UN521E	TRANSISTOR,J686M
Q32		DTC144WU	TRANSISTOR
		or PDTC144WU	TRANSISTOR
		or RN1309	TRANSISTOR
		or UN521E	TRANSISTOR
Q38		2SC4081/QRS/-X	TRANSISTOR
		or 2SD1819A/QRS/-X	TRANSISTOR
		or 2PC4081/R/-X	TRANSISTOR
Q901		2SA1576A/QRS/-X	TRANSISTOR
		or 2PA1576/R/-X	TRANSISTOR
Q2001		2SC4081/QRS/-X	TRANSISTOR
		or 2SD1819A/QRS/-X	TRANSISTOR
		or 2PC4081/R/-X	TRANSISTOR
Q2002		2SC4081/QRS/-X	TRANSISTOR
		or 2PC4081/R/-X	TRANSISTOR
		or 2SD1819A/QRS/-X	TRANSISTOR
Q2003		DTA144WU	TRANSISTOR
		or RN2309	TRANSISTOR

#	△ REF No.	PART No.	PART NAME, DESCRIPTION
		or UN511E	TRANSISTOR
		or PDTA144WU	TRANSISTOR
Q2051		2SC4081/QRS/-X	TRANSISTOR
		or 2SD1819A/QRS/-X	TRANSISTOR
		or 2PC4081/R/-X	TRANSISTOR
Q2052		2SA1576A/QR/-X	TRANSISTOR
		or 2PA1576/R/-X	TRANSISTOR
		or 2SB1218A/QR/-X	TRANSISTOR
Q2053		DTC144WU	TRANSISTOR
		or PDTC144WU	TRANSISTOR
		or RN1309	TRANSISTOR
		or UN521E	TRANSISTOR
Q2054		2SA1576A/QR/-X	TRANSISTOR
		or 2SB1218A/QR/-X	TRANSISTOR
		or 2PA1576/R/-X	TRANSISTOR
Q2055		DTC144WU	TRANSISTOR
		or PDTC144WU	TRANSISTOR
		or RN1309	TRANSISTOR
		or UN521E	TRANSISTOR
Q2251		DTA144WU	TRANSISTOR
		or PDTA144WU	TRANSISTOR
		or RN2309	TRANSISTOR
		or UN511E	TRANSISTOR
Q3001		PTZ-NV16A	IC(PHOTO COUPLER)
Q3002		PTZ-NV16A	IC(PHOTO COUPLER)
Q3003		2SD1819A/QRS/-X	TRANSISTOR
		or 2SC4081/QRS/-X	TRANSISTOR
		or 2PC4081/R/-X	TRANSISTOR
Q3004		2SD1819A/QRS/-X	TRANSISTOR
		or 2PC4081/R/-X	TRANSISTOR
		or 2SC4081/QRS/-X	TRANSISTOR
Q4001		UN5211	TRANSISTOR
		or RN1302	TRANSISTOR
		or DTC114EU	TRANSISTOR
		or PDTC114EU	TRANSISTOR
Q4002		2SD1819A/QRS/-X	TRANSISTOR
		or 2PC4081/R/-X	TRANSISTOR
		or 2SC4081/QRS/-X	TRANSISTOR
Q5101		2SK2632-CB14	POWER MOS FET
		or 2SK2632	POWER MOS FET
		or 2SK2129	POWER MOS FET
		or 2SK2129-LT	POWER MOS FET
Q5102		2SD2144S/UV/-T	TRANSISTOR
Q6030		2SB1218A/QR/-X	TRANSISTOR
		or 2PA1576/R/-X	TRANSISTOR
		or 2SA1576A/QR/-X	TRANSISTOR
Q6501		DTC143TU	TRANSISTOR
Q6502		DTC143TU	TRANSISTOR
Q6551		2SC1740S/QRS/-T	TRANSISTOR
		or 2SC3199/YG/-T	TRANSISTOR
D1		1SS133	DIODE
		or 1SS270A	DIODE
D2		1SS133	DIODE
		or 1SS270A	DIODE
D4		1SS133	DIODE
		or 1SS270A	DIODE
D5		1SS133	DIODE
		or 1SS270A	DIODE
D2201		11ES2	DIODE
		or 1A3G	DIODE
D2202		MTZJ9.1B	ZENER DIODE

#	△	REF No.	PART No.	PART NAME, DESCRIPTION	#	△	REF No.	PART No.	PART NAME, DESCRIPTION
		D3001	LNB2301L01VI	LE DIODE				or PG104RS	FR DIODE
		D3002	1SS133	DIODE				or 10ELS2	FR DIODE
			or 1SS270A	DIODE	D5301		MTZJ15A		ZENER DIODE
		D3004	11ES2	DIODE			or RD15ES/B1/-T2		ZENER DIODE
			or 1A3G	DIODE	D5302		MTZJ6.8A		ZENER DIODE
		D3005	11ES2	DIODE			or RD6.8ES/B1/-T2		ZENER DIODE
			or 1A3G	DIODE	D5303		MTZJ27C		ZENER DIODE
		D3006	RD33ES/B2/-T2	ZENER DIODE			or RD27ES/B3/-T2		ZENER DIODE
			or MTZJ33B	ZENER DIODE	D5304		1SS133		DIODE
△		D3008	RB721Q-40-T2	SB DIODE			or 1SS270A		DIODE
		D3009	DA204U	DIODE	D6002		HZ30-2L-T2		ZENER DIODE
		D3013	DA204U	DIODE			or HZ30-2LTD		Z DIODE (M)
		D3015	DAN202U	DIODE	D6551		MTZJ10B		ZENER DIODE
		D4003	1SS133	DIODE	D7002		RD9.1ES/B2/-T2		ZENER DIODE
			or 1SS270A	DIODE			or UZ9.1BSB		ZENER DIODE
		D5001	S1WB/A/60-4102	BRIDGE DIODE			or MTZJ9.1B		ZENER DIODE
			or S1WB(A)60F4072X	BRIDGE DIODE	R1		NRSA02J-682X		MG RESISTOR
			or S1WB/A/60-X	BRIDGE DIODE	R2		NRSA02J-152X		MG RESISTOR
		D5101	AU01	FR DIODE	R3		NRSA02J-822X		MG RESISTOR
			or ERA18-04-T2	FR DIODE	R6		NRSA02J-273X		MG RESISTOR
			or 10ELS4	FR DIODE	R7		NRSA02J-821X		MG RESISTOR
			or 1SR153-400-T2	FR DIODE	R8		NRSA02J-0R0X		MG RESISTOR
		D5102	AU01	FR DIODE	R9		NRSA02J-0R0X		MG RESISTOR
			or ERA18-04-T2	FR DIODE	R12		QRE141J-0R0Y		RESISTOR
			or 1SR153-400-T2	FR DIODE	R21		NRSA02J-102X		MG RESISTOR,J686EN
			or 10ELS4	FR DIODE	R22		NRSA02J-102X		MG RESISTOR,J686EN
		D5103	1SS133	DIODE	R37		NRSA02J-0R0X		MG RESISTOR
			or 1SS270A	DIODE	R42		NRSA02J-681X		MG RESISTOR
		D5105	1SS133	DIODE	R44		NRSA02J-822X		MG RESISTOR
			or 1SS270A	DIODE	R45		NRSA02J-103X		MG RESISTOR
		D5201	AK04	DIODE,J686EN	R46		NRSA02J-331X		MG RESISTOR
			AU01Z	FR DIODE,J686M	R49		NRSA02J-561X		MG RESISTOR
			or 1S4	SB DIODE,J686EN	R66		QRE141J-104Y		RESISTOR
			or 11EQS04	SB DIODE,J686EN	R67		QRE141J-103Y		RESISTOR,J686M
			or 10ELS2	FR DIODE,J686M	R77		QRE141J-103Y		RESISTOR
		D5203	AU01Z	FR DIODE	R90		NRSA02J-471X		MG RESISTOR
			or ERA18-02-T2	FR DIODE	R92		NRSA02J-392X		MG RESISTOR
			or 1SR153-400-T2	FR DIODE	R93		NRSA02J-222X		MG RESISTOR
			or 10ELS2	FR DIODE	R104		NRSA02J-562X		MG RESISTOR
			or PG104RS	FR DIODE	R201		NRSA02J-332X		MG RESISTOR
		D5204	AU01Z	FR DIODE	R202		NRSA02J-222X		MG RESISTOR
			or ERA18-02-T2	FR DIODE	R203		NRSA02J-101X		MG RESISTOR
			or 1SR153-400-T2	FR DIODE	R204		NRSA02J-101X		MG RESISTOR
			or 10ELS2	FR DIODE	R901		NRSA02J-750X		MG RESISTOR
			or PG104RS	FR DIODE	R904		QRE123J-331X		RESISTOR
		D5205	AU01Z	FR DIODE	R905		NRSA02J-101X		MG RESISTOR
			or ERA18-02-T2	FR DIODE	R912		NRSA02J-750X		MG RESISTOR
			or PG104RS	FR DIODE	R2001		NRSA02J-101X		MG RESISTOR
			or 10ELS2	FR DIODE	R2003		NRSA02J-101X		MG RESISTOR
			or 1SR153-400-T2	FR DIODE	R2004		NRSA02J-332X		MG RESISTOR,J686M
△		D5207	AK04	DIODE	R2005		NRSA02J-103X		MG RESISTOR
△			or 11EQS04	SB DIODE	R2006		NRSA02J-393X		MG RESISTOR
△			or 1S4	SB DIODE	R2009		NRSA02J-123X		MG RESISTOR
		D5210	AU01Z	FR DIODE	R2012		NRSA02J-153X		MG RESISTOR
			or ERA18-02-T2	FR DIODE	R2013		NRSA02J-682X		MG RESISTOR
			or PG104RS	FR DIODE	R2014		NRSA02J-224X		MG RESISTOR
			or 10ELS2	FR DIODE	R2015		NRSA02J-181X		MG RESISTOR,J686M
			or 1SR153-400-T2	FR DIODE			NRSA02J-121X		MG RESISTOR,J686EN
		D5211	AU01Z	FR DIODE	R2016		NRSA02J-473X		MG RESISTOR
			or ERA18-02-T2	FR DIODE	R2017		NRSA02J-153X		MG RESISTOR,J686M
			or 1SR153-400-T2	FR DIODE			NRSA02J-223X		MG RESISTOR,J686EN

#	△ REF No.	PART No.	PART NAME, DESCRIPTION	#	△ REF No.	PART No.	PART NAME, DESCRIPTION
R2018		NRSA02J-472X	MG RESISTOR 4.7kΩ,1/10W	R3098		NRSA02J-102X	MG RESISTOR 1kΩ,1/10W
R2019		NRSA02J-472X	MG RESISTOR 4.7kΩ,1/10W	R3099		NRSA02J-102X	MG RESISTOR,J686EN 1kΩ,1/10W
R2053		NRSA02J-472X	MG RESISTOR,J686M 4.7kΩ,1/10W	R3100		NRSA02J-102X	MG RESISTOR,J686EN 1kΩ,1/10W
		NRSA02J-682X	MG RESISTOR,J686EN 6.8kΩ,1/10W	R3201		NRSA02J-103X	MG RESISTOR 10kΩ,1/10W
R2054		NRSA02J-123X	MG RESISTOR 12kΩ,1/10W	R3202		NRSA02J-472X	MG RESISTOR 4.7kΩ,1/10W
R2055		NRSA02J-3R3X	MG RESISTOR 3.3Ω,1/10W	R3203		NRSA02J-103X	MG RESISTOR 10kΩ,1/10W
R2056		NRSA02J-820X	MG RESISTOR 82Ω,1/10W	R3204		NRSA02J-222X	MG RESISTOR 2.2kΩ,1/10W
R2057		NRSA02J-473X	MG RESISTOR 47kΩ,1/10W	R3205		NRSA02J-562X	MG RESISTOR 5.6kΩ,1/10W
R2058		NRSA02J-183X	MG RESISTOR 18kΩ,1/10W	R3206		NRSA02J-103X	MG RESISTOR 10kΩ,1/10W
R2059		NRSA02J-473X	MG RESISTOR 47kΩ,1/10W	R3207		NRSA02J-103X	MG RESISTOR 10kΩ,1/10W
R2060		NRSA02J-183X	MG RESISTOR 18kΩ,1/10W	R3208		NRSA02J-103X	MG RESISTOR 10kΩ,1/10W
R2201		NRSA02J-680X	MG RESISTOR 68Ω,1/10W	R3209		QRE141J-181Y	RESISTOR 180Ω,1/4W
R2202		NRSA02J-222X	MG RESISTOR,J686EN 2.2kΩ,1/10W	R3210		NRSA02J-183X	MG RESISTOR 18kΩ,1/10W
R2203		NRSA02J-222X	MG RESISTOR,J686EN 2.2kΩ,1/10W	R3211		NRSA02J-183X	MG RESISTOR 18kΩ,1/10W
R2204		NRSA02J-102X	MG RESISTOR,J686EN 1kΩ,1/10W	R3212		NRSA02J-181X	MG RESISTOR 180Ω,1/10W
R2205		NRSA02J-102X	MG RESISTOR,J686EN 1kΩ,1/10W	R3213		NRSA02J-273X	MG RESISTOR 27kΩ,1/10W
R2206		NRSA02J-101X	MG RESISTOR 100Ω,1/10W	R3214		NRSA02J-181X	MG RESISTOR 180Ω,1/10W
R2207		NRSA02J-332X	MG RESISTOR,J686M 3.3kΩ,1/10W	R3215		NRSA02J-273X	MG RESISTOR 27kΩ,1/10W
R2217		NRSA02J-103X	MG RESISTOR 10kΩ,1/10W	R3216		NRSA02J-474X	MG RESISTOR 470kΩ,1/10W
R2218		NRSA02J-393X	MG RESISTOR 39kΩ,1/10W	R3217		NRSA02J-334X	MG RESISTOR 330kΩ,1/10W
R2223		NRSA02J-123X	MG RESISTOR 12kΩ,1/10W	R3219		NRSA02J-103X	MG RESISTOR 10kΩ,1/10W
R2232		NRSA02J-680X	MG RESISTOR 68Ω,1/10W	R3220		NRSA02J-103X	MG RESISTOR 10kΩ,1/10W
R2251		NRSA02J-102X	MG RESISTOR 1kΩ,1/10W	R3222		NRSA02J-472X	MG RESISTOR 4.7kΩ,1/10W
R2601		NRSA02J-101X	MG RESISTOR 100Ω,1/10W	R3223		NRSA02J-105X	MG RESISTOR 1MΩ,1/10W
R3001		NRSA02J-102X	MG RESISTOR 1kΩ,1/10W	R3224		NRSA02J-101X	MG RESISTOR 100Ω,1/10W
R3002		NRSA02J-102X	MG RESISTOR 1kΩ,1/10W	R3226		NRSA02J-103X	MG RESISTOR 10kΩ,1/10W
R3005		NRSA02J-102X	MG RESISTOR 1kΩ,1/10W	R3227		NRSA02J-103X	MG RESISTOR 10kΩ,1/10W
R3007		NRSA02J-102X	MG RESISTOR 1kΩ,1/10W	R3232		QRE141J-104Y	RESISTOR 100kΩ,1/4W
R3008		NRSA02J-102X	MG RESISTOR 1kΩ,1/10W	R3233		NRSA02J-472X	MG RESISTOR 4.7kΩ,1/10W
R3013		NRSA02J-102X	MG RESISTOR,J686M 1kΩ,1/10W	R3234		NRSA02J-472X	MG RESISTOR 4.7kΩ,1/10W
R3015		NRSA02J-102X	MG RESISTOR 1kΩ,1/10W	△ R3235		QRE141J-102Y	RESISTOR 1kΩ,1/4W
R3016		NRSA02J-102X	MG RESISTOR 1kΩ,1/10W	R3237		QRE141J-472Y	RESISTOR 4.7kΩ,1/4W
R3017		NRSA02J-0R0X	MG RESISTOR 0Ω,1/10W	R3238		QRE141J-472Y	RESISTOR 4.7kΩ,1/4W
R3018		NRSA02J-0R0X	MG RESISTOR 0Ω,1/10W	R3240		NRSA02J-103X	MG RESISTOR,J686EN 10kΩ,1/10W
R3019		NRSA02J-102X	MG RESISTOR,J686EN 1kΩ,1/10W	R3241		NRSA02J-103X	MG RESISTOR,J686EN 10kΩ,1/10W
R3020		NRSA02J-102X	MG RESISTOR,J686EN 1kΩ,1/10W	R4001		QRE141J-222Y	RESISTOR 2.2kΩ,1/4W
R3021		NRSA02J-102X	MG RESISTOR 1kΩ,1/10W	R4002		NRSA02J-223X	MG RESISTOR 22kΩ,1/10W
R3022		NRSA02J-102X	MG RESISTOR 1kΩ,1/10W	R4003		NRSA02J-222X	MG RESISTOR 2.2kΩ,1/10W
R3026		NRSA02J-102X	MG RESISTOR 1kΩ,1/10W	R4006		NRSA02J-472X	MG RESISTOR 4.7kΩ,1/10W
R3027		NRSA02J-102X	MG RESISTOR 1kΩ,1/10W	R4010		NRSA02J-471X	MG RESISTOR 470Ω,1/10W
R3029		NRSA02J-102X	MG RESISTOR 1kΩ,1/10W	R4011		NRSA02J-471X	MG RESISTOR 470Ω,1/10W
R3030		NRSA02J-102X	MG RESISTOR 1kΩ,1/10W	R4012		NRSA02J-153X	MG RESISTOR 15kΩ,1/10W
R3031		NRSA02J-102X	MG RESISTOR 1kΩ,1/10W	R4018		NRSA02J-103X	MG RESISTOR 10kΩ,1/10W
R3035		QRE141J-102Y	RESISTOR 1kΩ,1/4W	R4019		NRSA02J-102X	MG RESISTOR 1kΩ,1/10W
R3043		NRSA02J-102X	MG RESISTOR 1kΩ,1/10W	R4020		NRSA02J-102X	MG RESISTOR 1kΩ,1/10W
R3046		QRE141J-102Y	RESISTOR 1kΩ,1/4W	R4021		NRSA02J-103X	MG RESISTOR 10kΩ,1/10W
R3060		NRSA02J-102X	MG RESISTOR 1kΩ,1/10W	R4022		NRSA02J-472X	MG RESISTOR 4.7kΩ,1/10W
R3078		NRSA02J-102X	MG RESISTOR,J686M 1kΩ,1/10W	R4024		NRSA02J-103X	MG RESISTOR 10kΩ,1/10W
R3079		NRSA02J-102X	MG RESISTOR 1kΩ,1/10W	R4025		NRSA02J-472X	MG RESISTOR 4.7kΩ,1/10W
R3081		NRSA02J-102X	MG RESISTOR 1kΩ,1/10W	R5101		QRE141J-224Y	RESISTOR 220kΩ,1/4W
R3083		NRSA02J-102X	MG RESISTOR 1kΩ,1/10W	R5102		QRE141J-224Y	RESISTOR 220kΩ,1/4W
R3084		NRSA02J-102X	MG RESISTOR 1kΩ,1/10W	R5103		QRE141J-683Y	RESISTOR 68kΩ,1/4W
R3085		NRSA02J-472X	MG RESISTOR 4.7kΩ,1/10W	R5104		QRG02GJ-683	OMF RESISTOR 68kΩ,2W
R3086		NRSA02J-102X	MG RESISTOR 1kΩ,1/10W	R5106		QRT01DJ-R39X	MF RESISTOR 0.39Ω,1W
R3088		NRSA02J-102X	MG RESISTOR,J686EN 1kΩ,1/10W	R5107		QRE121J-331Y	RESISTOR 330Ω,1/2W
R3089		NRSA02J-102X	MG RESISTOR,J686EN 1kΩ,1/10W	R5108		NRSA02J-222X	MG RESISTOR 2.2kΩ,1/10W
R3090		QRE141J-102Y	RESISTOR 1kΩ,1/4W	R5109		QRE141J-681Y	RESISTOR 680Ω,1/4W
R3092		NRSA02J-102X	MG RESISTOR 1kΩ,1/10W	R5110		NRSA02J-224X	MG RESISTOR 220kΩ,1/10W
R3094		NRSA02J-102X	MG RESISTOR 1kΩ,1/10W	R5111		NRSA02J-821X	MG RESISTOR 820Ω,1/10W
R3096		NRSA02J-102X	MG RESISTOR 1kΩ,1/10W	R5112		NRSA02J-221X	MG RESISTOR 220Ω,1/10W
R3097		NRSA02J-102X	MG RESISTOR 1kΩ,1/10W	R5301		QRE141J-1R0Y	RESISTOR,J686EN 1Ω,1/4W

#	△	REF No.	PART No.	PART NAME, DESCRIPTION	#	△	REF No.	PART No.	PART NAME, DESCRIPTION	
		R5302	NRSA02J-102X	MG RESISTOR			C5	QEKJ1CM-476	E CAPACITOR	47μF,16V
		R5303	NRSA02J-122X	MG RESISTOR			C6	NCB11EK-104X	CAPACITOR	0.1μF,25V
	△	R5304	QRZ9005-221X	FUSI RESISTOR			C7	NCB21HK-471X	CAPACITOR	470pF,50V
		R5305	NRSA02J-471X	MG RESISTOR			C8	NCB21EK-104X	CAPACITOR	0.1μF,25V
		R5306	NRSA02J-563X	MG RESISTOR			C9	NCB21HK-103X	CAPACITOR	0.01μF,50V
		R5327	NRSA02J-303X	MG RESISTOR			C10	NDC21HJ-151X	CAPACITOR	150pF,50V
		R6020	NRSA02J-102X	MG RESISTOR			C11	NCB21EK-104X	CAPACITOR	0.1μF,25V
		R6021	NRSA02J-102X	MG RESISTOR			C12	NDC21HJ-330X	CAPACITOR	33pF,50V
		R6022	NRSA02J-102X	MG RESISTOR			C14	NCB21EK-104X	CAPACITOR	0.1μF,25V
		R6030	NRSA02J-332X	MG RESISTOR			C15	NCB21EK-104X	CAPACITOR	0.1μF,25V
		R6032	NRSA02J-123X	MG RESISTOR			C16	NCB21EK-104X	CAPACITOR	0.1μF,25V
		R6033	NRSA02J-123X	MG RESISTOR			C17	QEKJ1HM-335	E CAPACITOR	3.3μF,50V
		R6053	NRSA02J-102X	MG RESISTOR			C19	QEKJ1HM-225	E CAPACITOR	2.2μF,50V
		R6501	NRSA02J-102X	MG RESISTOR			C20	QEKJ1HM-105	E CAPACITOR	1μF,50V
		R6502	NRSA02J-334X	MG RESISTOR			C21	NCB21EK-104X	CAPACITOR	0.1μF,25V
		R6503	NRSA02J-124X	MG RESISTOR			C22	QEKJ0JM-476	E CAPACITOR	47μF,6.3V
		R6504	NRSA02J-302X	MG RESISTOR			C23	NCB21EK-104X	CAPACITOR	0.1μF,25V
		R6505	NRSA02J-512X	MG RESISTOR			C24	NCB21EK-104X	CAPACITOR	0.1μF,25V
		R6506	NRSA02J-333X	MG RESISTOR			C25	NDC21HJ-5R0X	CAPACITOR	5pF,50V
		R6507	NRSA02J-333X	MG RESISTOR			C26	NCB21EK-104X	CAPACITOR	0.1μF,25V
		R6508	NRSA02J-392X	MG RESISTOR			C27	NCB21HK-223X	CAPACITOR	0.022μF,50V
		R6509	NRSA02J-122X	MG RESISTOR			C28	QEKJ1HM-335	E CAPACITOR	3.3μF,50V
		R6510	NRSA02J-392X	MG RESISTOR			C29	NCB21EK-104X	CAPACITOR,J686EN	0.1μF,25V
		R6511	NRSA02J-122X	MG RESISTOR				NCB21HK-683X	CAPACITOR,J686M	0.068μF,50V
		R6514	NRSA02J-0R0X	MG RESISTOR			C30	QEKJ1HM-474	E CAPACITOR	0.47μF,50V
		R6515	NRSA02J-0R0X	MG RESISTOR			C31	QEKJ0JM-476	E CAPACITOR	47μF,6.3V
		R6551	NRSA02J-271X	MG RESISTOR			C32	NCB21HK-103X	CAPACITOR	0.01μF,50V
		R6552	NRSA02J-101X	MG RESISTOR			C33	QEKJ1HM-225	E CAPACITOR	2.2μF,50V
		R7001	NRSA02J-471X	MG RESISTOR			C34	NCB21EK-104X	CAPACITOR	0.1μF,25V
		R7002	NRSA02J-471X	MG RESISTOR			C35	NCB21EK-103X	CAPACITOR,J686M	0.01μF,25V
		R7003	NRSA02J-471X	MG RESISTOR				NCB21EK-333X	CAPACITOR,J686EN	0.033μF,25V
		R7004	NRSA02J-471X	MG RESISTOR			C36	QEKJ1EM-475	E CAPACITOR	4.7μF,25V
		R7005	QRE141J-103Y	RESISTOR,J686EN			C37	QEKJ1EM-475	E CAPACITOR	4.7μF,25V
		R7006	NRSA02J-103X	MG RESISTOR,J686EN			C38	QEKJ0JM-476	E CAPACITOR	47μF,6.3V
		R7007	NRSA02J-103X	MG RESISTOR,J686EN			C39	NCB21EK-104X	CAPACITOR	0.1μF,25V
		R7008	NRSA02J-103X	MG RESISTOR,J686EN			C40	QEKJ1CM-106	E CAPACITOR	10μF,16V
		R7013	NRSA02J-103X	MG RESISTOR			C51	QERF1HM-105	E CAPACITOR	1μF,50V
		R7017	QRE141J-103Y	RESISTOR			C54	NCB21EK-103X	CAPACITOR	0.01μF,25V
		R7020	NRSA02J-103X	MG RESISTOR			C55	NCB21HK-473X	CAPACITOR,J686M	0.047μF,50V
		R7021	NRSA02J-122X	MG RESISTOR			C62	NCB21EK-104X	CAPACITOR	0.1μF,25V
		R7022	NRSA02J-182X	MG RESISTOR			C64	NDC21HJ-150X	CAPACITOR	15pF,50V
		R7023	NRSA02J-222X	MG RESISTOR			C69	NCB21HK-471X	CAPACITOR,J686EN	470pF,50V
		R7024	NRSA02J-272X	MG RESISTOR			C70	NCB21HK-471X	CAPACITOR,J686EN	470pF,50V
		R7025	NRSA02J-472X	MG RESISTOR			C81	NCB21HK-103X	CAPACITOR	0.01μF,50V
		R7030	NRSA02J-103X	MG RESISTOR			C106	NCB21HK-102X	CAPACITOR	0.001μF,50V
		R7031	NRSA02J-122X	MG RESISTOR			C109	NCB21HK-223X	CAPACITOR	0.022μF,50V
		R7032	NRSA02J-182X	MG RESISTOR				NCB21CK-224X	CAPACITOR	0.22μF,16V
		R7033	NRSA02J-222X	MG RESISTOR			C110	NCB21HK-331X	CAPACITOR	330pF,50V
		R7034	NRSA02J-0R0X	MG RESISTOR,J686M			C201	QEKJ0JM-107	E CAPACITOR	100μF,6.3V
			NRSA02J-272X	MG RESISTOR,J686EN			C202	NCB21EK-104X	CAPACITOR	0.1μF,25V
		R7035	NRSA02J-472X	MG RESISTOR,J686EN			C203	QEKJ1HM-105	E CAPACITOR	1μF,50V
		R7036	NRSA02J-682X	MG RESISTOR,J686EN			C205	NDC21HJ-101X	CAPACITOR	100pF,50V
		R7037	NRSA02J-563X	MG RESISTOR			C207	NCF21CZ-105X	CAPACITOR	1μF,16V
		C1	NCB21HK-103X	CAPACITOR,J686EN			C208	NDC21HJ-101X	CAPACITOR	100pF,50V
			NCF21CZ-105X	CAPACITOR,J686M			C209	NCB21HK-103X	CAPACITOR	0.01μF,50V
		C2	NCB21HK-103X	CAPACITOR,J686EN			C210	NCB21HK-222X	CAPACITOR	0.0022μF,50V
			NCF21CZ-105X	CAPACITOR,J686M			C211	NCB21HK-103X	CAPACITOR	0.01μF,50V
		C3	NCB21HK-103X	CAPACITOR,J686EN			C901	QETN0JM-477	E CAPACITOR	470μF,6.3V
			NCF21CZ-105X	CAPACITOR,J686M			C903	QEKJ1CM-476	E CAPACITOR	47μF,16V
		C4	NCB21HK-103X	CAPACITOR,J686EN			C904	NCB21EK-104X	CAPACITOR	0.1μF,25V
			NCF21CZ-105X	CAPACITOR,J686M			C2001	QEKJ1EM-475	E CAPACITOR	4.7μF,25V

#	△ REF No.	PART No.	PART NAME, DESCRIPTION	#	△ REF No.	PART No.	PART NAME, DESCRIPTION
C2002		QEKJ1CM-106	E CAPACITOR 10μF,16V	C3048		NCB21HK-103X	CAPACITOR 0.01μF,50V
C2003		QEK0JM-476	E CAPACITOR 47μF,6.3V	C3049		NCB21HK-103X	CAPACITOR 0.01μF,50V
C2005		QEKJ1EM-475	E CAPACITOR 4.7μF,25V	C3050		NCB21HK-103X	CAPACITOR 0.01μF,50V
C2006		NCB21HK-123X	CAPACITOR 0.012μF,50V	C3052		NCB21HK-103X	CAPACITOR 0.01μF,50V
C2007		QEKJ1CM-226	E CAPACITOR 22μF,16V	C3053		QDYB1CM-103Y	CAPACITOR 0.01μF,16V
C2008		QEKJ1EM-475	E CAPACITOR 4.7μF,25V	C3054		NCB21HK-103X	CAPACITOR 0.01μF,50V
C2009		NCB21HK-102X	CAPACITOR 0.001μF,50V	C4001		NCB21EK-104X	CAPACITOR 0.1μF,25V
C2010		NCB21HK-222X	CAPACITOR 0.0022μF,50V	C4002		QEKJ1HM-224	E CAPACITOR 0.22μF,50V
C2011		QEKJ1EM-475	E CAPACITOR 4.7μF,25V	C4004		QERF0JM-336	E CAPACITOR 33μF,6.3V
C2012		QEKJ1EM-475	E CAPACITOR 4.7μF,25V	C4006		NCB21EK-563X	CAPACITOR 0.056μF,25V
C2051		QCB1HJ-331	CAPACITOR 330pF,50V	C4007		NCB21HJ-103X	CAPACITOR 0.01μF,50V
C2052		QFV91HJ-823	F CAPACITOR 0.082μF,50V	C4008		QERF0JM-476	E CAPACITOR 47μF,6.3V
C2053		NCB21HK-472X	CAPACITOR 0.0047μF,50V	C4009		NCB21HK-102X	CAPACITOR 0.001μF,50V
C2054		NCB21HK-223X	CAPACITOR 0.022μF,50V	C4010		QERF0JM-476	E CAPACITOR 47μF,6.3V
C2055		QEKJ1CM-106	E CAPACITOR 10μF,16V	C4011		NCB21CK-224X	CAPACITOR 0.22μF,16V
C2201		NCB21CK-104X	CAPACITOR 0.1μF,16V	C4012		NDC21HJ-471X	CAPACITOR 470pF,50V
C2202		NCB21EK-333X	CAPACITOR 0.033μF,25V	C4014		NDC21HJ-101X	CAPACITOR 100pF,50V
C2203		QEKJ1CM-106	E CAPACITOR 10μF,16V	C4015		NDC21HJ-101X	CAPACITOR 100pF,50V
C2204		NCB21HK-102X	CAPACITOR 0.001μF,50V	C4016		QEKJ0JM-476	E CAPACITOR 47μF,6.3V
C2205		QEKJ1HM-105	E CAPACITOR 1μF,50V	C4017		NCB21HJ-103X	CAPACITOR 0.01μF,50V
C2206		QEKJ1CM-106	E CAPACITOR 10μF,16V	C4019		NCB21EK-104X	CAPACITOR 0.1μF,25V
C2207		QEKJ1CM-476	E CAPACITOR 47μF,16V	C4022		NDC21HJ-101X	CAPACITOR 100pF,50V
C2208		QEKJ1EM-475	E CAPACITOR 4.7μF,25V	△ C5001		QFZ9073-683	F CAPACITOR 0.068μF,250V
C2209		QEKJ1HM-104	E CAPACITOR,J686EN 0.1μF,50V	△ C5004		QCZ9071-222	CAPACITOR 0.0022μF,250V
C2210		QEKJ1HM-104	E CAPACITOR,J686EN 0.1μF,50V	C5006		QEZO374-826	E CAPACITOR 82μF,400V
C2211		QEKJ1HM-474	E CAPACITOR,J686EN 0.47μF,50V	C5101		QCZ0212-472	CAPACITOR 0.0047μF,1kV
C2212		QEKJ1HM-474	E CAPACITOR,J686EN 0.47μF,50V	C5102		QCZ0302-330Z	CAPACITOR 33pF,1kV
C2215		QEKJ1EM-475	E CAPACITOR 4.7μF,25V	C5104		QETN1HM-105	E CAPACITOR 1μF,50V
C2217		QEKJ1CM-106	E CAPACITOR 10μF,16V	C5105		QFN31HJ-183	F CAPACITOR 0.018μF,50V
C2219		QEKJ1CM-106	E CAPACITOR 10μF,16V	C5106		QCB1HJ-271	CAPACITOR 270pF,50V
C2220		QEKJ1EM-475	E CAPACITOR 4.7μF,25V	C5107		QFV91HJ-104	F CAPACITOR 0.1μF,50V
C2221		NCB21HK-103X	CAPACITOR 0.01μF,50V	C5201		QEMU0JM-227	E CAPACITOR 220μF,6.3V
C2222		QEKJ1HM-474	E CAPACITOR 0.47μF,50V	C5202		QEMT1CM-827	E CAPACITOR 820μF,16V
C2223		QEKJ1HM-474	E CAPACITOR 0.47μF,50V	C5203		QEMT1AM-687	E CAPACITOR 680μF,10V
C2224		NCB21HK-103X	CAPACITOR 0.01μF,50V	C5204		QETN2AM-475	E CAPACITOR 4.7μF,100V
C2225		QEKJ1EM-475	E CAPACITOR 4.7μF,25V	C5205		QETN1HM-106	E CAPACITOR 10μF,50V
C2226		QEKJ1CM-106	E CAPACITOR 10μF,16V	C5207		QETN1CM-227	E CAPACITOR 220μF,16V
C2227		NCB21CK-104X	CAPACITOR 0.1μF,16V	C5208		QETN1AM-227	E CAPACITOR 220μF,10V
C2251		QEK0JM-476	E CAPACITOR 47μF,6.3V	C5301		QEMU0JM-227	E CAPACITOR 220μF,6.3V
C2252		NCB21HK-103X	CAPACITOR 0.01μF,50V	C5302		QETN1HM-106	E CAPACITOR 10μF,50V
C2253		NCB21CK-104X	CAPACITOR 0.1μF,16V	C5303		QETN1CM-107	E CAPACITOR 100μF,16V
C2254		NCB21CK-104X	CAPACITOR 0.1μF,16V	C5304		QFLC1HJ-563Z	F CAPACITOR 0.056μF,50V
C3001		NCB21EK-104X	CAPACITOR 0.1μF,25V	C5305		NCB21HK-103X	CAPACITOR 0.01μF,50V
C3002		NCB21EK-104X	CAPACITOR 0.1μF,25V	C6013		NCB21HK-103X	CAPACITOR 0.01μF,50V
C3003		QEKJ1CM-106	E CAPACITOR 10μF,16V	C6031		QEKJ1CM-106	E CAPACITOR 10μF,16V
C3008		NCB21HK-103X	CAPACITOR 0.01μF,50V	C6501		QERF1CM-226	E CAPACITOR 22μF,16V
C3013		QEKJ1CM-106	E CAPACITOR 10μF,16V	C6502		NCB21EK-104X	CAPACITOR 0.1μF,25V
C3016		NDC21HJ-180X	CAPACITOR 18pF,50V	C6503		QERF1HM-105	E CAPACITOR 1μF,50V
C3017		NDC21HJ-220X	CAPACITOR 22pF,50V	C6504		QERF1EM-475	E CAPACITOR 4.7μF,25V
C3018		QAT3725-300Z	TRIM CAPACITOR,TIMER CLOCK	C6505		QEKJ1CM-106	E CAPACITOR 10μF,16V
C3019		NDC21HJ-100X	CAPACITOR 10pF,50V	C6506		QERF1HM-104	E CAPACITOR 0.1μF,50V
C3020		NDC21HJ-180X	CAPACITOR 18pF,50V	C6507		NCB21EK-473X	CAPACITOR 0.047μF,25V
C3022		NCB21HK-103X	CAPACITOR 0.01μF,50V	C6508		QERF1HM-474	E CAPACITOR 0.47μF,50V
C3023		NCF21CZ-105X	CAPACITOR 1μF,16V	C6509		NCB21EK-104X	CAPACITOR 0.1μF,25V
C3024		QEKJ0JM-476	E CAPACITOR 47μF,6.3V	C6510		QERF1HM-105	E CAPACITOR 1μF,50V
C3025		NCB21HK-103X	CAPACITOR 0.01μF,50V	C6511		QEKJ1HM-105	E CAPACITOR 1μF,50V
C3028		QETN0JM-108	E CAPACITOR 1000μF,6.3V	C6512		QEKJ1HM-105	E CAPACITOR 1μF,50V
C3029		NCB21HK-103X	CAPACITOR 0.01μF,50V	C6513		QETN1HM-335	E CAPACITOR 3.3μF,50V
C3030		QEKJ0JM-227	E CAPACITOR 220μF,6.3V	C6514		QETN1HM-106	E CAPACITOR 10μF,50V
C3035		NCB21EK-104X	CAPACITOR 0.1μF,25V	C6515		QEKJ1HM-105	E CAPACITOR 1μF,50V
C3036		QERF0JM-107	E CAPACITOR 100μF,6.3V	C6516		QEKJ1CM-106	E CAPACITOR 10μF,16V

#	△ REF No.	PART No.	PART NAME, DESCRIPTION
C6517		QEKJ1CM-106	E CAPACITOR 10μF,16V
C6518		QEKJ1HM-105	E CAPACITOR 1μF,50V
C7001		QDGB1HK-102Y	CAPACITOR 0.001μF,50V
C7002		QEKJ1HM-106	E CAPACITOR 10μF,50V
C7007		QEKJ0JM-476	E CAPACITOR 47μF,6.3V
C7008		NCB21EK-223X	CAPACITOR 0.022μF,25V
C7009		NDC21HJ-220X	CAPACITOR 22pF,50V
C7010		NCB21EK-104X	CAPACITOR 0.1μF,25V
C7011		QEKJ0JM-227	E CAPACITOR 220μF,6.3V
		QEKJ0JM-476	E CAPACITOR 47μF,6.3V
C7013		NCB21HK-103X	CAPACITOR 0.01μF,50V
C7014		NCB21HK-103X	CAPACITOR 0.01μF,50V
C7019		NCB21EK-223X	CAPACITOR 0.022μF,25V
L1		QQL29BJ-100Z	COIL 10μH
L2		QQL29BJ-101Z	COIL,J686EN 100μH
L3		QQL29BJ-100Z	COIL 10μH
L4		QQL29BJ-100Z	COIL 10μH
L5		QQL29BJ-100Z	COIL 10μH
L11		QQL01BJ-120Z	COIL 12μH
L13		QQL231J-680Y	COIL 68μH
L24		QQL231J-180Y	COIL 18μH
L28		QQL231J-150Y	COIL 15μH
L201		QQL29BJ-100Z	COIL 10μH
L203		QQL231J-4R7Y	COIL 4.7μH
L901		QQL29BJ-100Z	COIL 10μH
L2251		QQL29BJ-100Z	COIL 10μH
L5201		PELN1184	COIL 33μH
L5202		PELN1184	COIL 33μH
X1		QAX0578-001	CRYSTAL RESONATOR,J686M
		QAX0580-001	CRYSTAL RESONATOR,J686EN
X2		QAX0575-001	CRYSTAL RESONATOR
X3001		QAX0526-001Z	CRYSTAL RESONATOR
X3002		QAX0444-001	CRYSTAL RESONATOR
S3001		QSW0602-004	PUSH SWITCH,REC.SAFETY
S6050		QSW0460-001	SLIDE SWITCH
S7001		QSW0456-002Z	TACT SWITCH,POWER
S7002		QSW0456-002Z	TACT SWITCH,P.JOG+
S7004		QSW0456-002Z	TACT SWITCH,CH-
S7006		QSW0456-002Z	TACT SWITCH,CH+
S7008		QSW0456-002Z	TACT SWITCH,MENU
S7010		QSW0456-002Z	TACT SWITCH,OK
S7011		QSW0456-002Z	TACT SWITCH,REC
S7013		QSW0456-002Z	TACT SWITCH,STOP/EJECT
S7015		QSW0456-002Z	TACT SWITCH,PAUSE
S7016		QSW0456-002Z	TACT SWITCH,P.JOG-
K2251		NQR0007-001X	FERRITE BEAD
K2252		NQR0007-001X	FERRITE BEAD
K2253		NQR0007-001X	FERRITE BEAD
K5101		QQR0678-001Z	FERRITE BEAD
PC3001		GP3S123	IC(PHOTO SENSOR)
PC3002		GP3S123	IC(PHOTO SENSOR)
△ PC5101		PS2561L1-1/WL/	IC(PHOTO COUPLER)
T2051		PELN0832	OSC TRANSFORMER
△ T5001		QQS0030-002	SW TRANSFORMER
TU6001		QAU0170-001	TUNER
△ TB1		LP20316-003B	TERMINAL BOARD
ET1		PQ21623-2-5	EARTH PLATE(RF)
DI7001		QLF0031-001	FL TUBE,J686M
		QLF0032-001	FL TUBE,J686EN
HD1		LP30188-001A	HOLDER,DI7001,J686EN
		PQ35479-1-4	HOLDER(FDP),DI7001,J686M

#	△ REF No.	PART No.	PART NAME, DESCRIPTION
△ HS1		LP40090-001A	HEAT SINK,Q5101
SD1		LP30644-001A	SHIELD CASE(PRE)
OT1		QYTDST3006Z	SCREW,Q5101
J2		QNN0286-002	PIN JACK,A/V OUT
FC5001		QNG0006-001Z	FUSE CLIP,F5001
FC5002		QNG0006-001Z	FUSE CLIP,F5001
FW7106		QUM022-30A4A4	PARA RIBON WIRE
J7101		QNN0288-001	PIN JACK,FRONT IN
△ LF5002		QQR0516-001	LINE FILTER
△ VA5003		QAF0026-621	VARIATOR
CN1		QGF1028C1-11	FPC CONNECTOR,(1-11)U.DRUM
CN2001		QGF1207C1-07	FPC CONNECTOR,(1-7)A/C HEAD
CN2002		QGB2532J1-02	CONNECTOR,(1-2)FE HEAD
CN3001		QGB2015M2-08	CONNECTOR,(1-8)CAPSTAN MOTOR
CN3002		QGF1207C1-05	FPC CONNECTOR,(1-5)DRUM MDA
CN3003		QGB2532J1-02	CONNECTOR,(1-2)LOADING MOTOR
CN3004		QGB2534J2-04	CONNECTOR,(1-4)ROTARY ENCODER
△ CN5001		QGA7901C3-02	CONNECTOR,(1-2)AC IN
CN7001		QGF1207C1-09	FPC CONNECTOR,(1-9)MINI FRONT
△ CP4001		ICP-N25	CIRCUIT PROTECTOR
△ CP5302		ICP-N25	CIRCUIT PROTECTOR
△ F5001		QMF51E2-2R0	FUSE T2.0A,AC250V

AUDIO CONTROL HEAD BOARD ASSEMBLY <12>

PW1	LPA10010-01A1	A/C HEAD BOARD ASSY
CN1	QGF1208F1-07	FPC CONNECTOR

MINI FRONT BOARD ASSEMBLY(HR-J686M)<28>

PW6	LPA10088-02C6	MINI FRONT BOARD ASSY
R7043	QRE141J-272Y	RESISTOR 2.7kΩ,1/4W
R7044	QRE141J-472Y	RESISTOR 4.7kΩ,1/4W
R7045	QRE141J-682Y	RESISTOR 6.8kΩ,1/4W
S7021	QSW0456-002Z	TACT SWITCH,,REW
S7022	QSW0456-002Z	TACT SWITCH,FF
S7023	QSW0456-002Z	TACT SWITCH,PLAY
CN7002	QGF1208C1-09	FPC CONNECTOR,(1-9)MAIN

LOADING MOTOR BOARD ASSEMBLY <55>

PW2	LPA10010-01A2	LOADING MOTOR BOARD ASSY
CN1	QGB2533K1-02	CONNECTOR

△ REF No. PART No. PART NAME, DESCRIPTION

△ REF No. PART No. PART NAME, DESCRIPTION

SHUTTLE BOARD ASSEMBLY(HR-J686EN) <85>

PW1	LPA20006-01A	SHUTTLE BOARD ASSY
UN7001	QSW0845-001	JOG SHUTTLE SW
CN7008	QGF1209F1-09	FPC CONNECTOR(1-9)MAIN

LITHIUM BATTERY BOARD ASSEMBLY <93>

PW4	LPA10088-01A4	LITHIUM BATTERY BOARD ASSY
BT3001	QNZ0032-001	BATTERY HOLDER